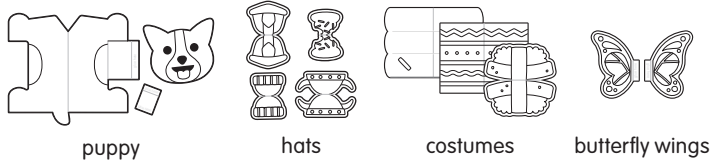


Puppy Dress Up

Instructions

Contents:



puppy

hats

costumes

butterfly wings

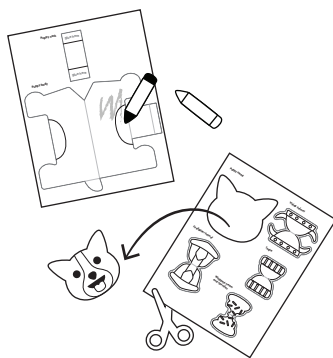
You'll need



crayons

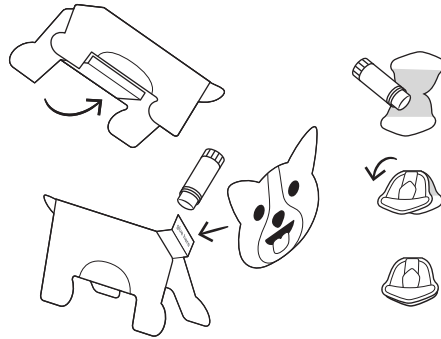
scissors

glue



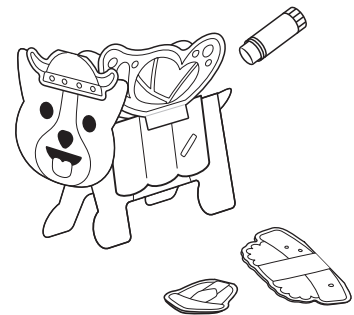
1. Print, color, and cut out

Print out the activity and color. Cut out all the pieces the dotted line.



2. Assemble the puppy and hats

Fold the puppy body along the grey fold lines and glue the bottom tab to the opposite side of the body. Glue the neck to the inside of the puppy body, fold the end of the neck, then glue the puppy head to the neck. Apply glue to the middle part of the hats and fold in half, leaving an opening at the bottom.



3. Dress up!

Fold the costumes in half and place on the puppies back. Wedge the hats on the puppy's head. Want wings? Add glue to the tabs and attach them to the puppy's back.

Educational play benefits

Play for play's sake is the best way to develop, learn and grow.



Make-believe play



Small motor play

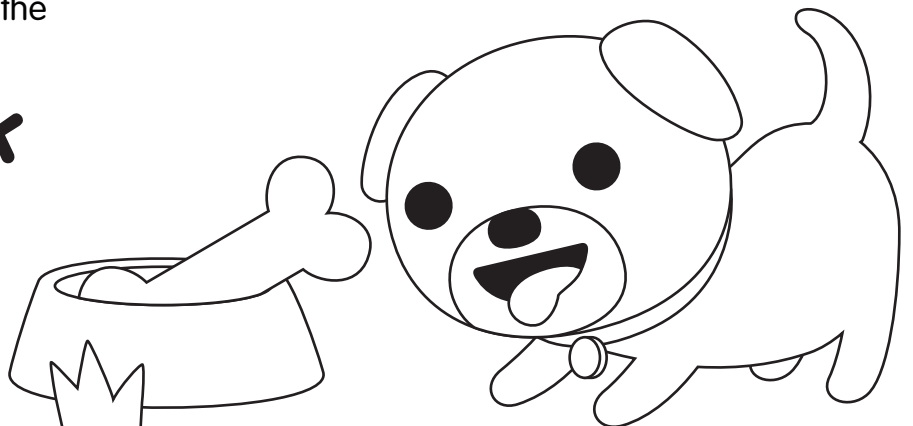


Nurture play

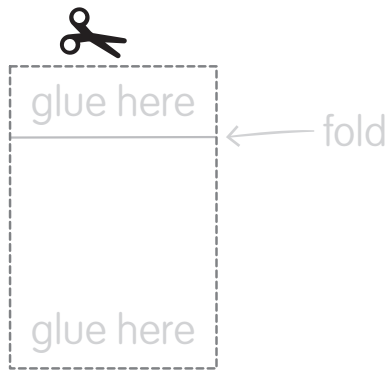
This printable activity is inspired by the

puppies box

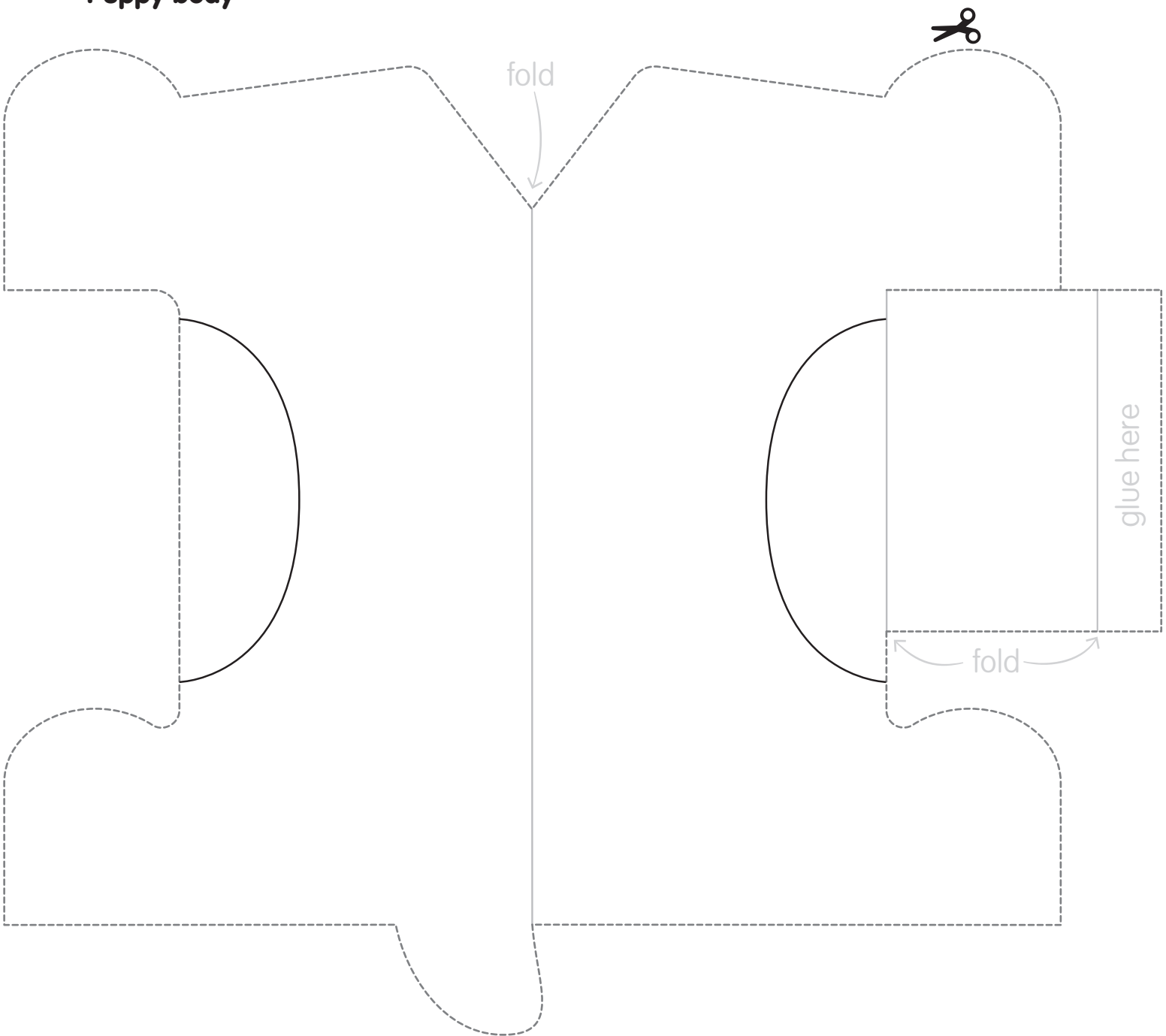
Discover more and subscribe at
sagominibox.com



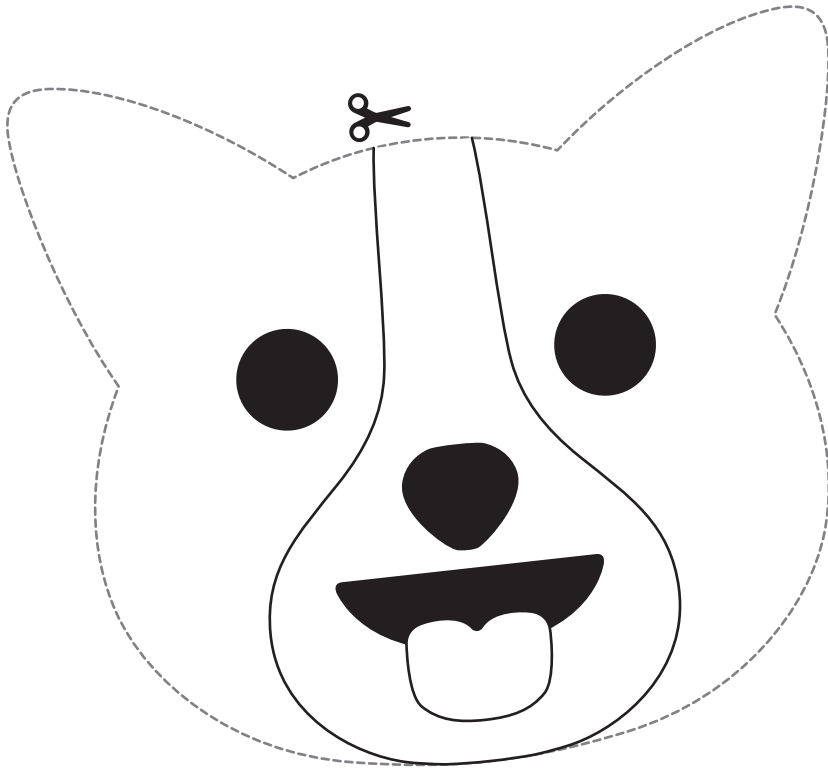
Puppy neck



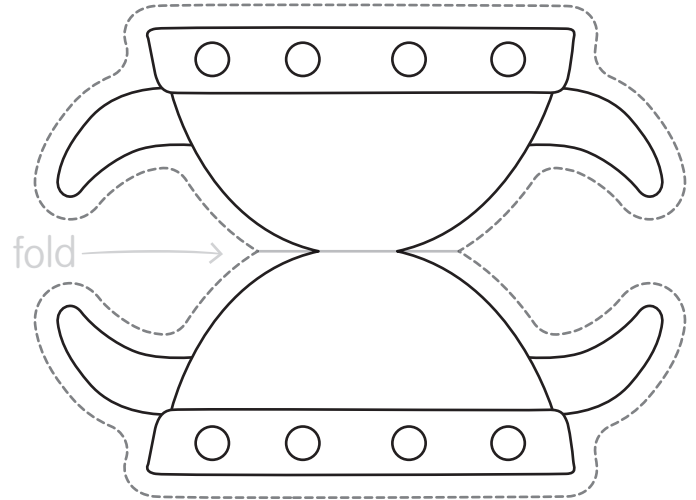
Puppy body



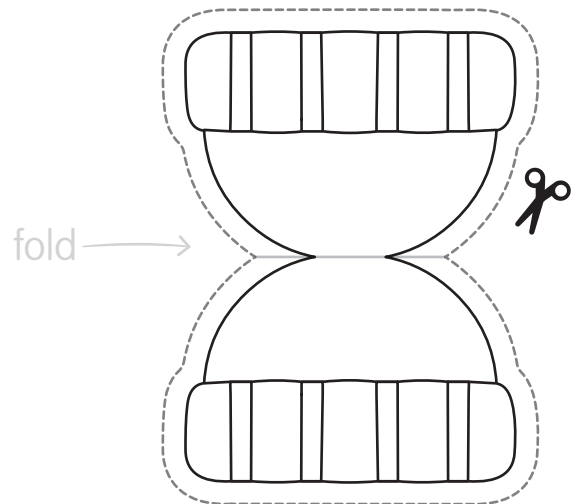
Puppy Head



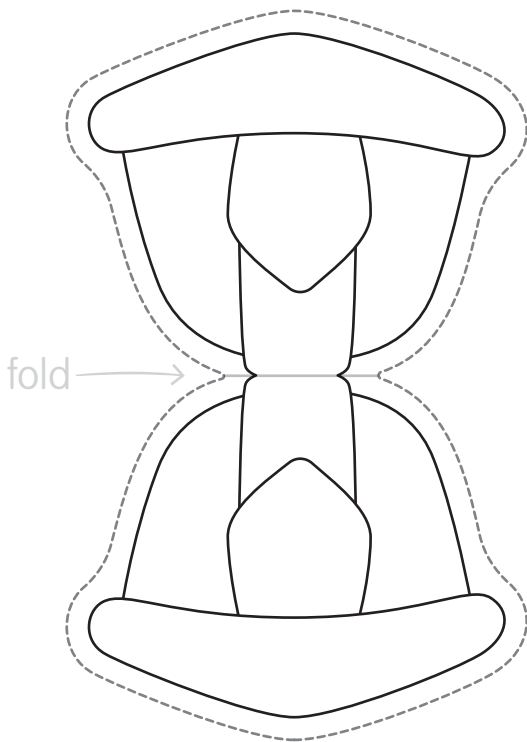
Viking helmet



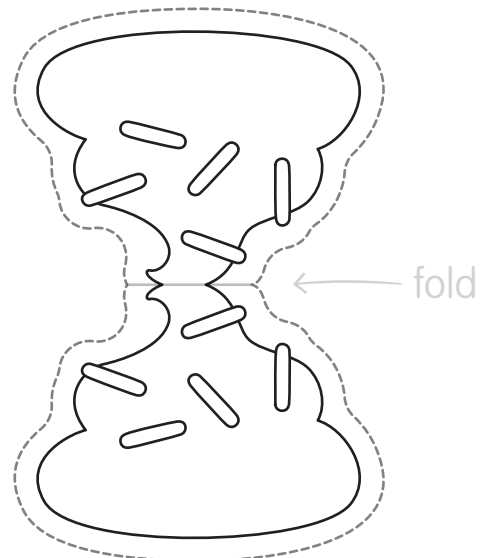
Toque



Firefighter helmet



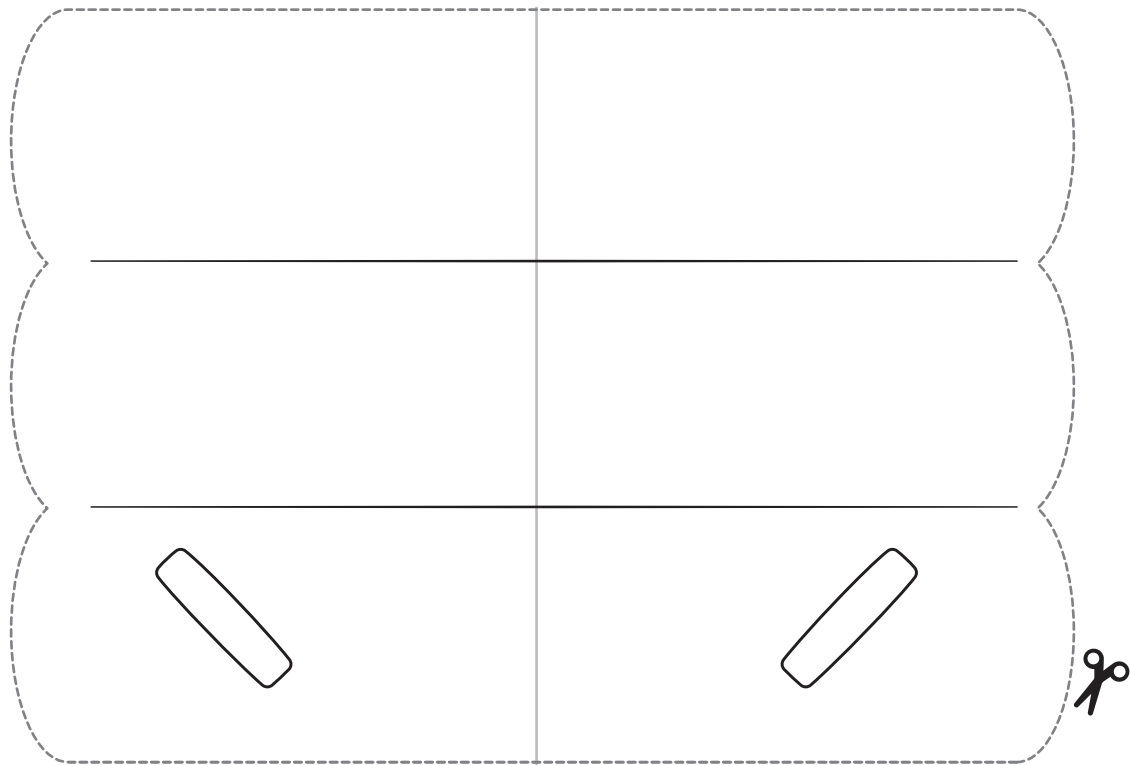
Whipped cream and sprinkles



Costumes

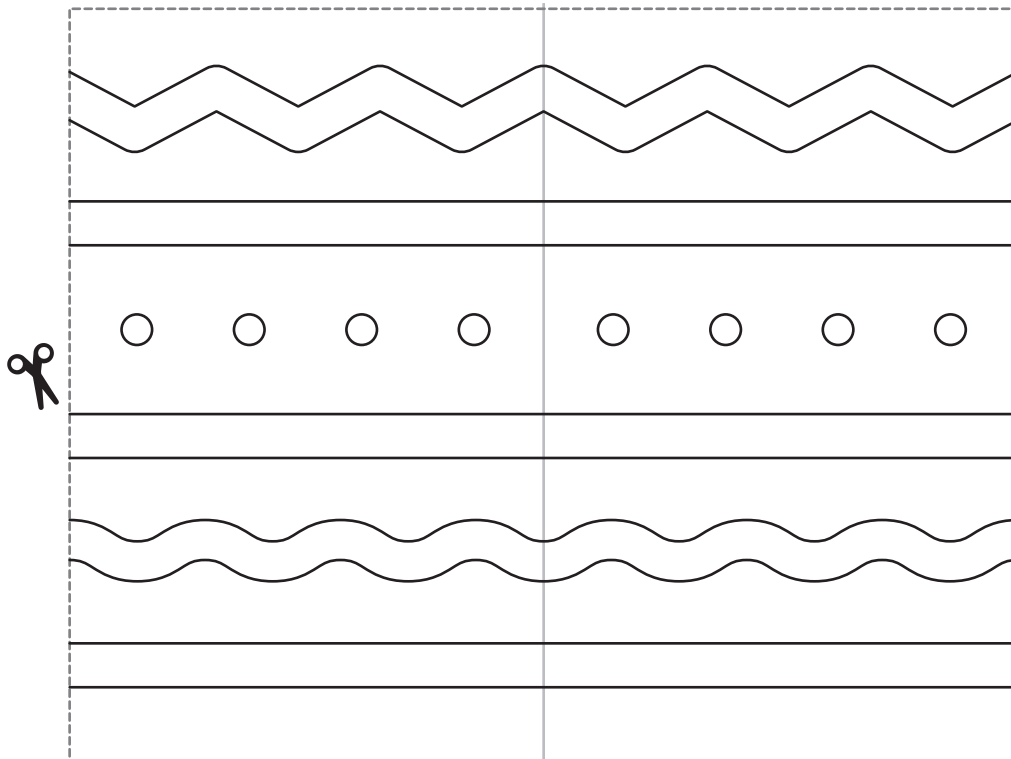
Coat

fold

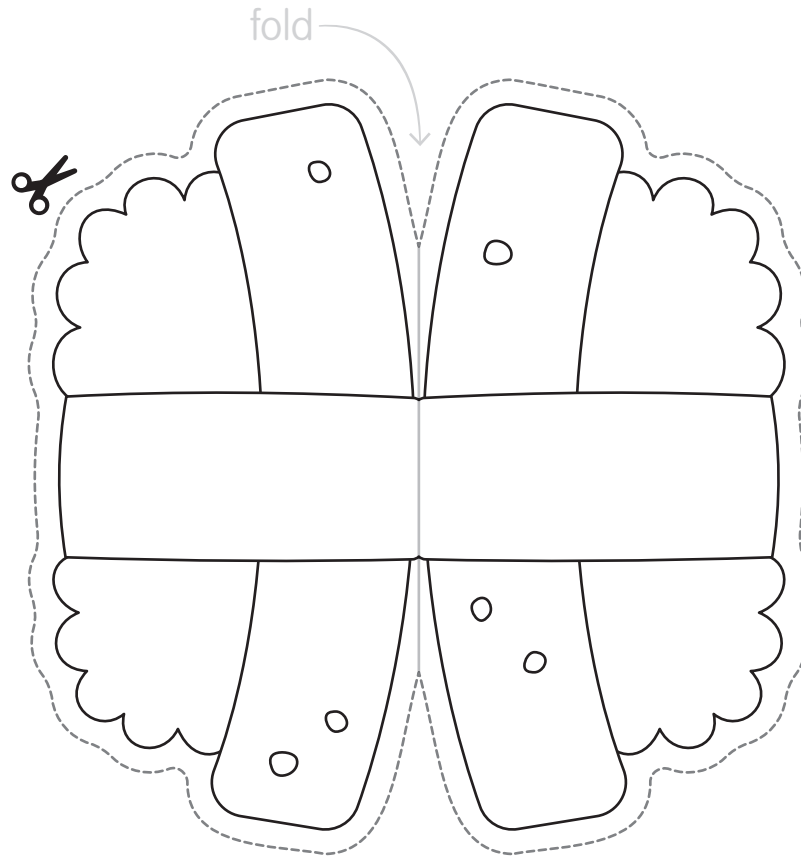


Sweater

fold



Sushi



Butterfly wings

